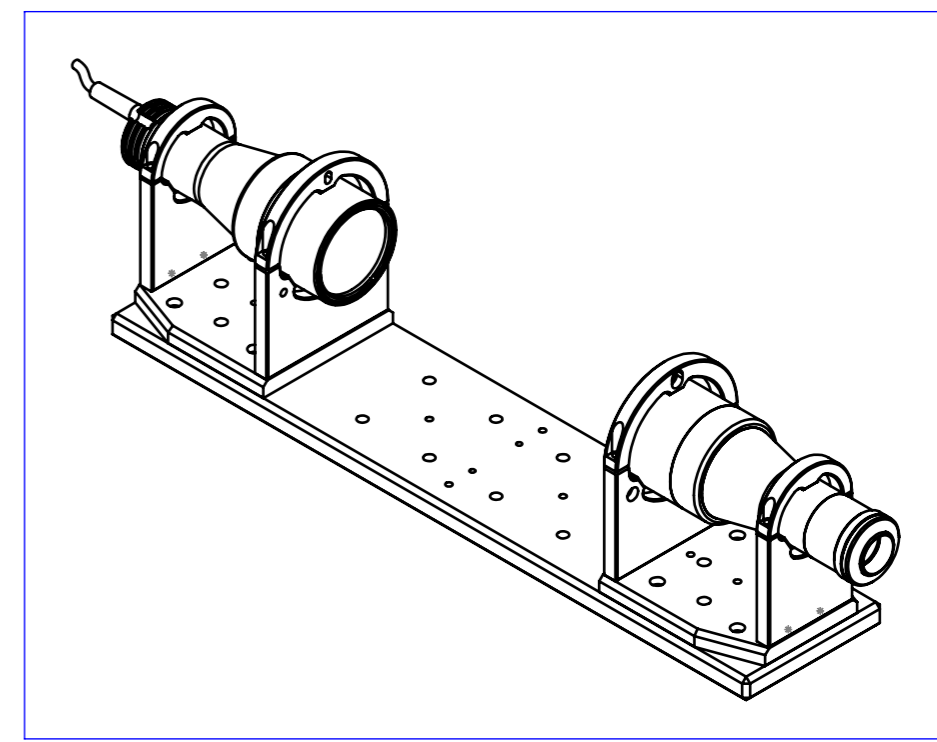
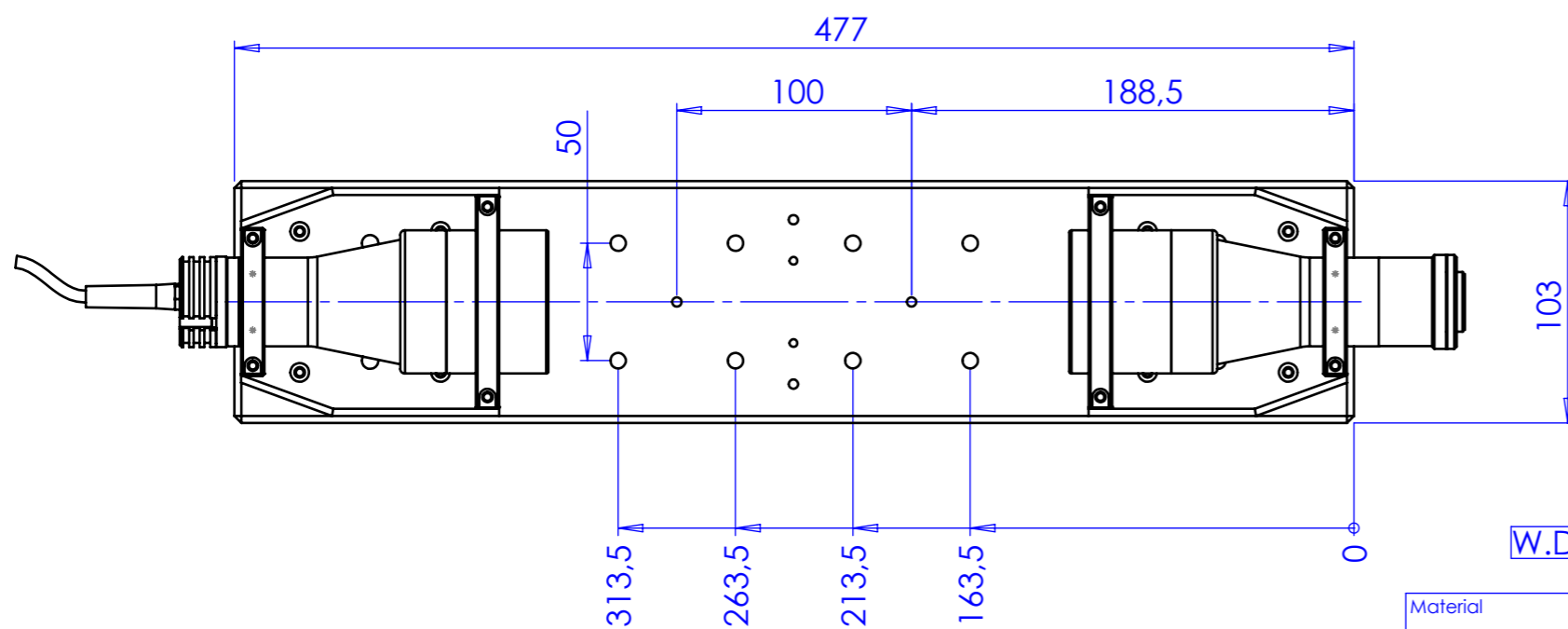
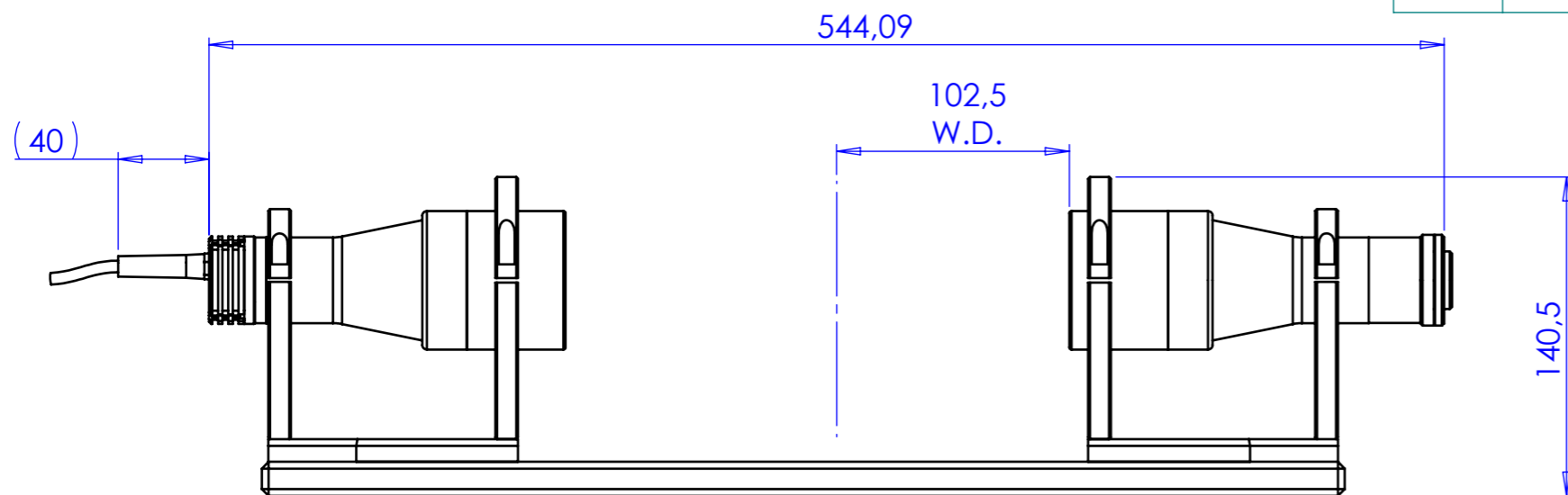


Rev No.	Description	Date	Name
B	TCEV23036 senza regolazione di fase	16/03/2017	Rodella



W.D. = Working Distance

Material		N.A.		Mass		3877 g		Scale		1:3	
Surface treatment		N.A.		Part No.		CO24390					
Geometrical tolerance (ISO 2768-2)				Class		K		Undimensioned bevels		0,5x45°	
Linear tolerance (ISO 2768-2)				Class		m		Undimensioned radii		R 0.5	
0.5 ±3	>3± 6	>6± 30	>30± 120	>120 ±400	>400± 1000	>1000 ±2000	>2000 ±4000	Description		TCEV23036-G	
±0.1	±0.1	±0.2	±0.3	±0.5	±0.8	±1.2	±2	Drawing No.		DP 24390-B	
 <b>OPTO ENGINEERING S.r.l. - Mantova Italy - Tel. +39 0376 699111 - www.opto-engineering.com</b>		Date		Name		Drawing No.		Sheet		1/1	
		Designed		19/08/2015		Rodella		DP 24390-B		1/1	
		Drawn		19/08/2015		Rodella					
Checked								<i>Secret and confidential - All rights reserved - No copy, dissemination or circulation is allowed unless specifically authorized in writing by OPTO ENGINEERING S.r.l. - Any violation shall be legally prosecuted.</i>			

all dimensions are in mm

